

QPD2-24000-43500-20-K

2-Way, 24~43.5GHz

Features:

- * Small Size
- * Low Insertion Loss

Applications:

- * Amplifiers
- * Mixers
- * Antennas
- * Laboratory Test

Electrical

Frequency:	24~43.5GHz
Insertion Loss:	1.3dB max.
Input VSWR:	1.7 max.
Output VSWR:	1.6 max.
Isolation:	16dB min.
Amplitude Balance:	±0.4dB
Phase Balance:	±5°
Impedance:	50Ω
Average Power:	20W max. 1W max. as combiner

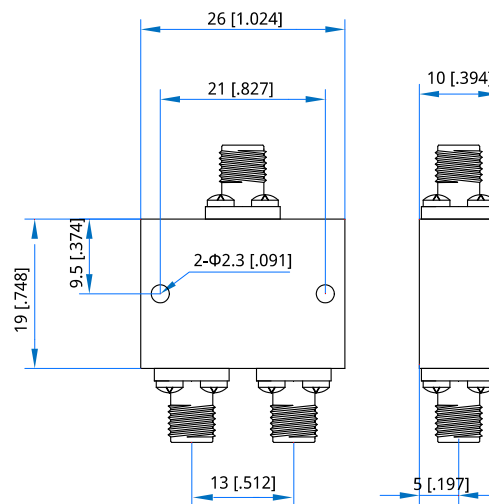
Mechanical

Size* ¹ :	19*26*10mm 0.748*1.024*0.394in
Connectors:	2.92mm Female
Mounting:	2-Φ2.3mm through-hole

[1] Exclude connectors.

Environmental

Operation Temperature:	-45~+85°C
------------------------	-----------

Outline Drawings


Unit: mm [in]

Tolerance: ±0.5mm [±0.02in]

How To Order

QPD2-24000-43500-20-K

Customization is available upon request.